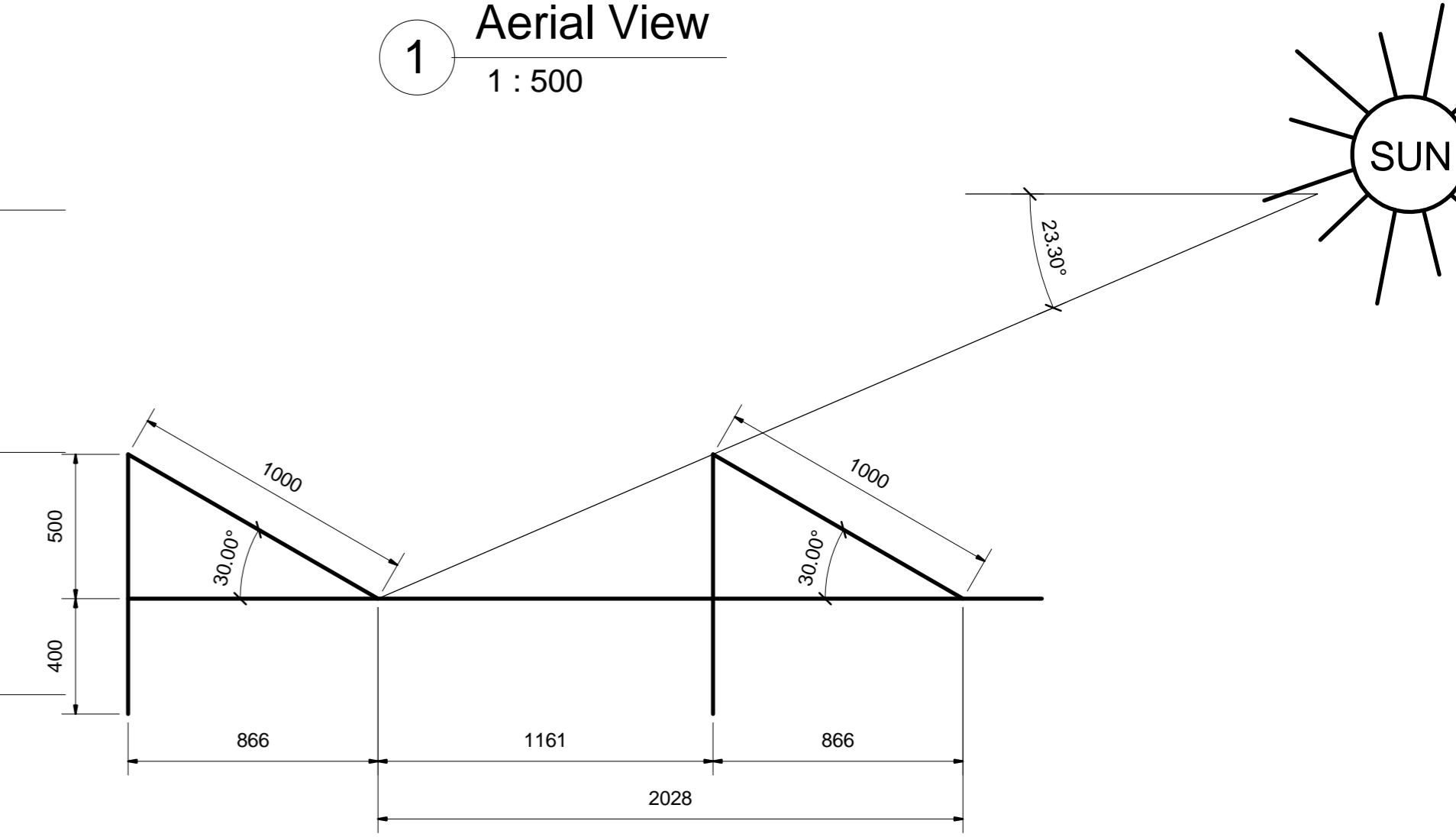


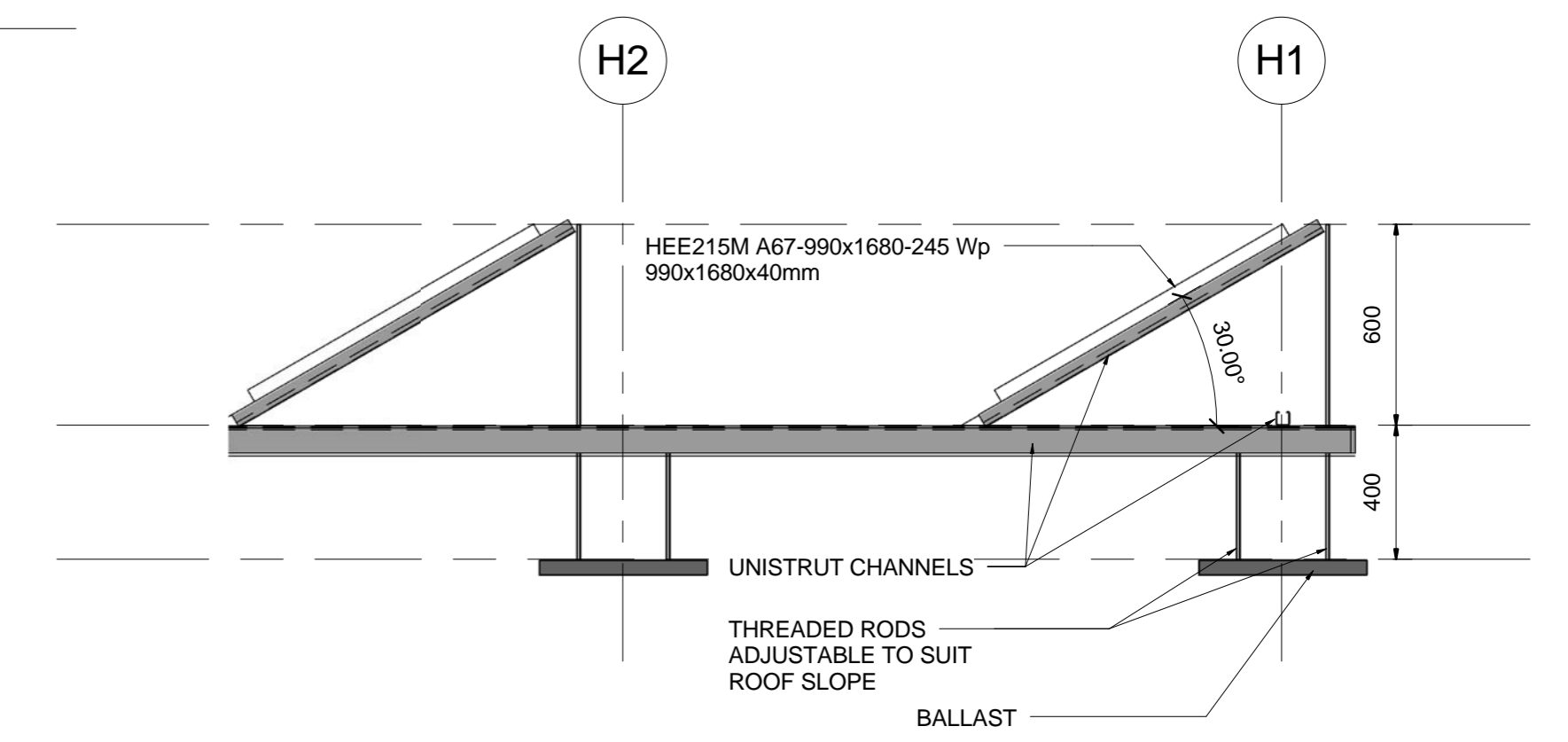
2 ROOF LAYOUT
1 : 50



1 Aerial View
1 : 500



3 Module Spacing
1 : 20



4 Partial Side Elevation
1 : 20